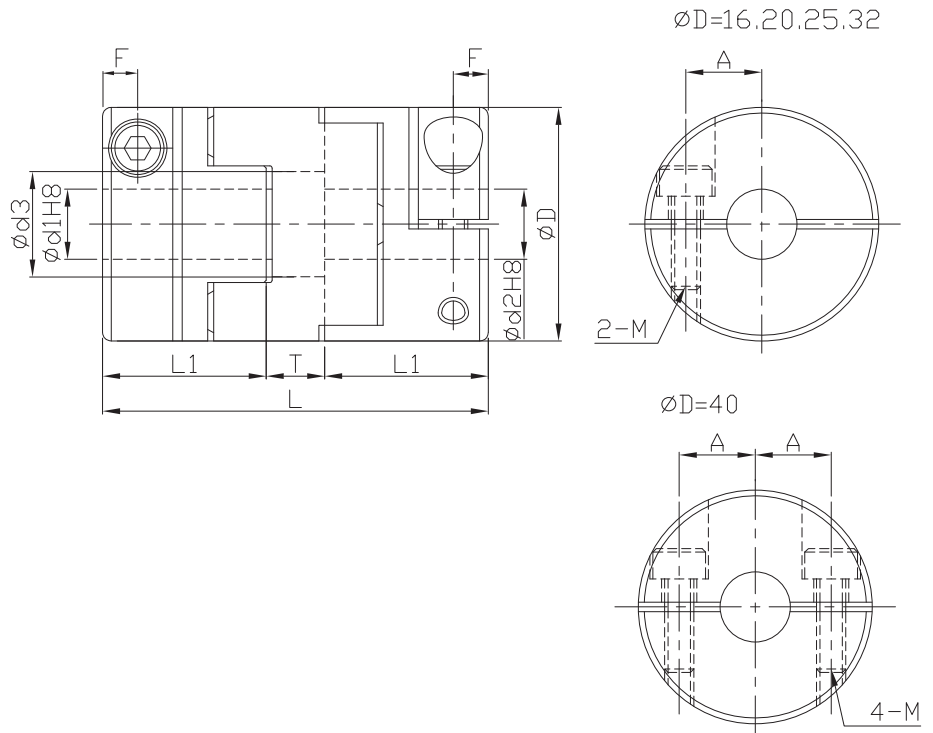


FACPL



- Operating temperature : -20°C~80°C
- Offset of angular, parallel, or axial deviation are individual allowed value, so couple reasons of axial offset appearing at same time would reduce the unit allowable value.



| Component | Material | Surface finish | Accessories |
|------------|----------------|----------------|----------------|
| Main frame | Aluminum Alloy | Anodized | Clamping screw |
| Spacer | (POM) | — | |

| Dimensions | | Ød1&Ød2 selection *Ød1 ≤ Ød2 | | | | | | | | | | | | | | Ød3 | L | L1 | T | F | A | Clamping screw | |
|------------|----|------------------------------|---|---|------|---|---|-------|----|----|----|----|----|----|------|-----|----|----|-----|-----|-----|-------------------|--|
| Model no. | ØD | 4 | 5 | 6 | 6.35 | 7 | 8 | 9.525 | 10 | 11 | 12 | 14 | 15 | 16 | M | | | | | | | Lock torque (N·m) | |
| FACPL | 16 | • | • | • | | | | | | | | | | | 7 | 29 | 13 | 3 | 5 | 2.5 | 1 | | |
| | 20 | | • | • | • | • | • | | | | | | | | 9 | 33 | 14 | 5 | 6.5 | | | | |
| | 25 | | | • | • | • | • | • | • | | | | | | 11 | 39 | 17 | 5 | 3.8 | 3 | 1.5 | | |
| | 32 | | | | | | • | • | • | • | • | • | | | 14.5 | 45 | 19 | 7 | 4.5 | 4 | 2.5 | | |
| | 40 | | | | | | | | | | • | • | • | • | 17 | 50 | 23 | 4 | 7 | 5 | 4 | | |

★ Moment of inertial torque and weight calculated by maximum diameter.

| Specification | | Allowable wrench torque (N·m) | Allowable misalignment | | Static torsional stiffness (N·m/rad) | Max. RPM (r/min ⁻¹) | ★ Moment of inertia (kg·m ²) | ★ Weight (g) |
|---------------|----|-------------------------------|------------------------|---------------|--------------------------------------|---------------------------------|--|--------------|
| Model no. | ØD | | Angular (°) | Parallel (mm) | | | | |
| FACPL | 16 | 0.7 | 3 | 1.0 | 31 | 9500 | 5.8*10 ⁻⁷ | 12 |
| | 20 | 1.2 | | 1.5 | 60 | 7600 | 1.5*10 ⁻⁶ | 19 |
| | 25 | 2 | | 2.0 | 140 | 6100 | 4.4*10 ⁻⁶ | 36 |
| | 32 | 4.5 | | 2.5 | 280 | 4800 | 1.4*10 ⁻⁵ | 69 |
| | 40 | 9 | | 3.0 | 540 | 3800 | 4.1*10 ⁻⁵ | 130 |

Ordering Example: FACPL16 - 8 - 10 - 100 PCS
 Model no. Ød1 Ød2 Q'ty