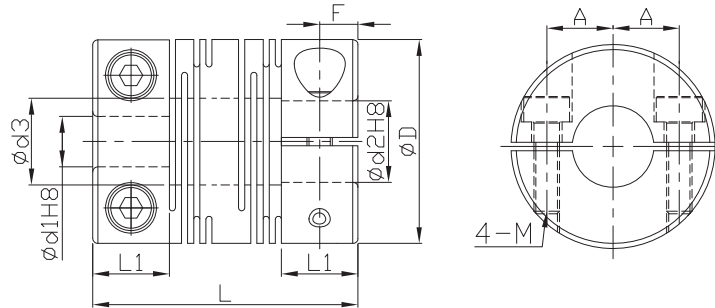


FSCML



- The flexure allowed by the beam portion of the coupling is capable of accommodating angular, parallel, and axial misalignment.
- Rotation character of clockwise or anti-clockwise are exactly the same.
- Free maintenance, oil-resist and anti-corrosiveness.
- Offset of angular, parallel, or axial deviation are individual allowed value, so couple reasons of axial offset appearing at same time would reduce the unit allowable value.



* $\text{Ød3} = \text{Ød2} + 0.5$
 *1pc clamping screw in $\text{ØD12} \sim \text{DØ32}$ of stainless steel type.

Material	Accessories
SUS303	Clamping screw

Dimensions		Ød1	Ød2												L	L1	M Rough thread	A	F						
Model no.	ØD		4	5	6	6.35	7	8	9.525	10	11	12	14	15						16					
FSCML	12	4	•	•												18.5	5	2	4	2.5					
		5		•																					
	16	5		•	•												23	6.5	2.5	5	3.25				
		6			•	•	•	•																	
	20	5			•	•	•	•									26	7.5	2.5	6.5	3.75				
		6			•	•	•	•																	
		6.35				•	•	•	•																
	25	5			•												31	8.5	3	9	4.25				
		6			•	•				•															
		6.35				•	•			•															
		8							•																
	32	8						•	•								41	12	4	11	6				
		9.525							•	•															
		10								•	•														
	40	10								•							56	17	5	14	8.5				
		12									•														
14											•														
15												•													
16													•												

★ Moment of inertial torque and weight calculated by maximum diameter.

Specification		Allowable wrench torque (N·m)	Allowable misalignment			Static torsional stiffness (N·m/rad)	Max. RPM (r/min ⁻¹)	★ Moment of inertia (kg·m ²)	Screw fixing torque (N·m)	★ Weight (g)
Model no.	ØD		Angular (°)	Parallel (mm)	Axial (mm)					
FSCML	12	0.3	2	0.10	±0.2	64	12000	2.2*10 ⁻⁷	0.5	10
	16	0.5			±0.3	85	9500	9.0*10 ⁻⁷	1	25
	20	1				250	7600	2.5*10 ⁻⁶		43
	25	2		0.15	±0.4	330	6100	7.1*10 ⁻⁶	1.5	78
	32	3.5			±0.5	850	4800	2.7*10 ⁻⁵	2.5	170
	40	8				1000	3800	9.0*10 ⁻⁵	4	370

Ordering Example: FSCML32 - 12 - 14 - 100 PCS
 Model no. Ød1 Ød2 Q'ty